



CNC SWING NOZZLE



Technical Parameter

Material	Aluminum
Connector Size	G1 ½" G2"
DN	40 50
Install mode	Vertical
movement	Rotate or swing
working medium	Water
Ratio between angle and input pluse	360° / 5800P
Motor	7.25 (rotate 7.25cycles)
Nozzle	1 3600 (rotate 1 cycle)
Positional accuracy	0.5°
Maximum pressure	0.3 M pa
Total Weight	About 12.5 kg
Environment	0-40 °c
Water Temperature	0-40 °c
Voltage	53 ± 10% VAC (55VDC, 70VAC is suggested)
drive mode	Precision stepper motor
control mode	Digital pulse type
Control pulse voltage	5VDC
Control pulse Width	>10 μ S,
Protection class	Ip68
Insulation class	B

CNC swing nozzle is a device that precisely transform the digital pulse signal sent out by the control system into the installation by the specialized precision mechanism, which can make the nozzle swing, rotate at a certain angle. The movement angle and speed of CNC swing nozzle can be controlled by the digital control system. CNC swing nozzle has the advantages of large output torque, digital control system, precise movement, which is mainly suitable for waterscape of music fountain.



CNC DIGITAL SWING NOZZLE(3D)



Technical Parameter

Material	304 (stainless steel 304)
Connector Size	G2.5", G2" (external thread)
DN	65/50
Install mode	Vertical
movement	Rotate or swing
working medium	Water
Angle of riation	360° +A (A is any angle)
Angle of oscillation	360° +A (A is any angle)
Motor	7.25, 360°(rotate 7.25cycle, Swing 360°)
Motor	7.25, 360°(rotate 7.25cycle, Swing 360°)
Positional accuracy	0.5°
Maximum pressure	0.3 Mpa
Total Weight	About 60kg
Environment	0-40 °c
Water Temperature	0-40 °c
Voltage	53 ± 10% VAC (55VAC)
drive mode	(Precision stepper motor)
control mode	(Digital pulse type)
Control pulse voltage	5VDC
Control pulse Width	>10 μ S,
Protection class	Ip68 (≤1*diving depth ≤1 meter)
Insulation class	B

CNC swing nozzle is a device that precisely transform the digital pulse signal sent out by the control system into the installation by the specilized precision mechanism, which can make the nozzle swing, rotate at a certain angle. The movement angle and speed of CNC swing nozzle can be controlled by the digital control system. CNC swing nozzle has the advantages of large output torque, digital control system, precise movement, which is mainly suitable for waterscape of music fountain.



3-LAYER FLOWER – BASKET NOZZEL



MODULE NO.	SPECIFICATION TEX.		(MPa/10)	WATER VOLUME (M3/H)	HEIGHT	COVERING AREA		
	(mm)	Inch						
HTHN-01	40	1.5"	0.20~1.5	3.0~10	0.6~4	0.4~2.5	0.16~1.5	1.2~3.0
HTHN-02	50	2"	0.30~1.5	4.0~12	0.6~6	0.5~4.5	0.2~2.5	1.5~3.5
HTHN-03	80	3"	0.30~1.5	8.0~30	2.0~8	0.7~6.0	0.4~3.5	1.5~6.0

It is made up of a central nozzle and two layers of adjustable current nozzles. The actual effect will have a water column in the middle and radial water lines around. In combination with LED colored lighting. It can form magnificent flower-basket shapes.



ADJUSTABLE CURRENT NOZZLE

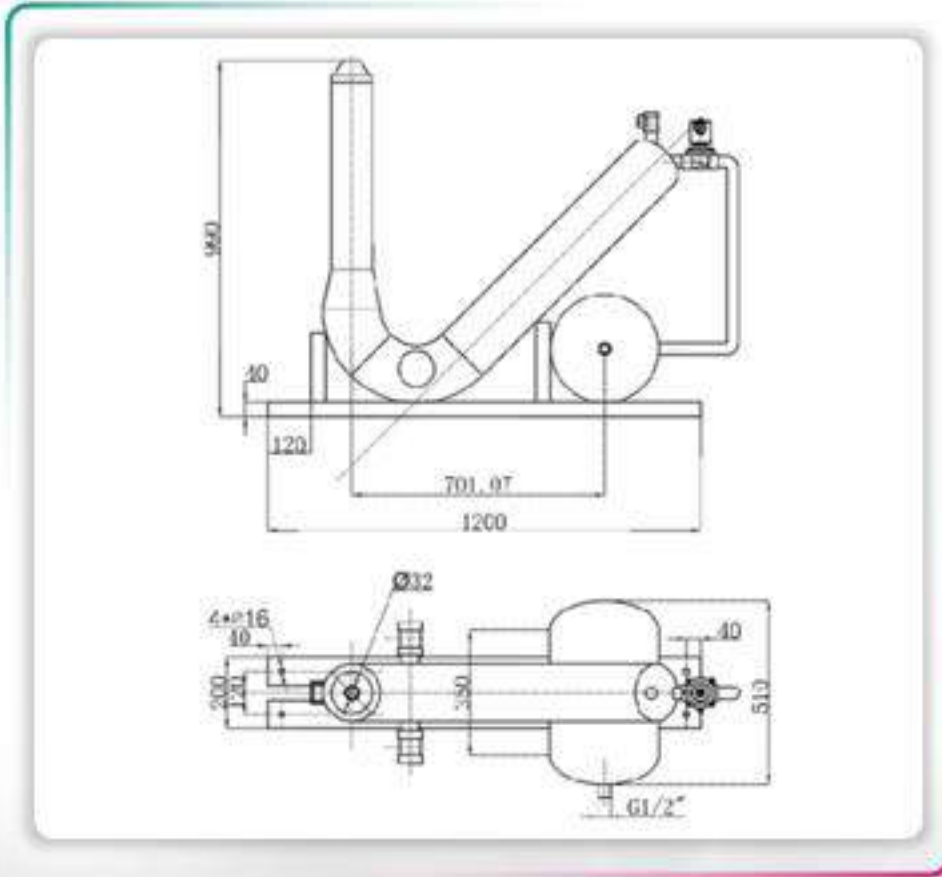


MODULE NO.	SPECIFICATION TEX.		(MPa/10)	WATER VOLUME (m3/h)	HEIGHT	COVERING AREA	ADJUSTABLE WATER PATTERNS
	(mm)	Inch					
HCN-01	15	0.5"	0.10~2.5	0.5~2.0	0.40~10	-	Crown
HCN-02	20	0.75"	0.10~2.5	0.8~3.5	0.56~12	-	Fan
HCN-03	25	1"	0.10~2.5	0.8~4.7	0.44~15	-	Arch Flower

Adjustable current Nozzle is a versatile one: the direction can be adjusted, both vertically and horizontally. In combination with height control from water-pressure and investors, adjustable current nozzles in groups can be made into various patterns.



GAS NOZZLE



Technical Parameter

Material	Install Mode	Spray Height	Fire Ball Diameter	Nozzle Diameter	Outlet Diameter	Pressure	Fuel
Stainless steel 304	Vertical	4-6M	1M	2mm	DN200mm	4.5MPa	LPG or Alcohol based fuel

Gas nozzle from air compressor quickly filled the airbag through gas reservoir and air pipe. The gas valve opens after being energized, then water quickly ejects through gimbaled nozzle, and 20 times per second. The valve can be controlled by computer, forming running spring and jumping spring.



BULB-BLOWING SPRING NOZZLE BULB



MODULE NO.	SPECIFICATION TEX.		(MPa/10)	WATER VOLUME (m ³ /h)	HEIGHT	COVERING AREA	ADJUSTABLE WATER PATTERNS
	(mm)	Inch					
HCN-01	25	1"	0.18~1.0	3.2~5.8	0.65~2.0	0.20~0.8	
HCN-02	40	1.5"	0.10~1.0	4.4~13	0.23~2.5	0.20~1.5	
HCN-03	50	2"	0.26~1.2	8.5~18	0.45~3.8	0.30~1.6	

blowing Spring Nozzle makes considerable bulbing sounds, which can add to the watering atmosphere of music fountain.
The effect shape is like white column.



CENTRAL GROUP NOZZLE



MODULE NO.	SPECIFICATION TEX.		(MPa/10)	WATER VOLUME (m3/h)	HEIGHT	COVERING AREA	ADJUSTABLE WATER PATTERNS
	(mm)	Inch					
HCN-01	40	1.5"	0.12~1.0	3.6~10	0.50~2.5	0.60~1.6	
HCN-02	50	2"	0.20~1.5	4.5~20	0.80~4.5	0.90~4.5	
HCN-03	80	3"	0.20~1.5	6.5~25	1.6~6.0	1.1~7.5	

7-12 Adjustable current Nozzles are installed to this type. When used as the central nozzle, the water effect is high and the water column is big. And it has very sensitive reaction the invertor-controlled pumps.



CRYSTAL BULB NOZZLE



MODULE NO.	SPECIFICATION TEX.		(MPa/10)	WATER VOLUME (m3/h)	HEIGHT	COVERING AREA	ADJUSTABLE WATER PATTERNS
	(mm)	Inch					
HCN-01	40	1"	0.40~1.8	7~14	4~12	0.80~2	
HCN-02	50	2"	0.20~4.5	7~40	2~28	0.60~3.5	

Crystal Bulb Nozzle, Water column with bulbs inside, looks marvelous in the sunshine. It's usually used in combination with water curtain, water bridge and Flower patterns.



DANDELION NOZZLE (FOG AND FILM)



MODULE NO.	SPECIFICATION TEX.		(MPa/10)	WATER VOLUME (m ³ /h)	HEIGHT	COVERING AREA	ADJUSTABLE WATER PATTERNS
	(mm)	Inch					
HCN-01	40	1.5"	0.2~0.5	20~35	0.8~1.8	1.2~2.0	
HCN-02	50	2"	0.4~0.8	40~60	0.8~2.5	1.6~2.6	
HCN-03	80	3"	0.5~0.8	50~70	0.8~3.0	2.0~3.0	
HCN-04	100	4"	0.6~1.0	60~80	0.8~6.0	3.0~4.0	

Dandelion Nozzle(FOG and Water film) is globe with radial branch pipes attached. The fog effect can be adjusted by the lid on each branch pipe.

This Nozzle is supposed to be used only in waters without much impurities.



FAN NOZZLE



MODULE NO.	SPECIFICATION TEX.		(MPa/10)	WATER VOLUME (m3/h)	HEIGHT	COVERING AREA	ADJUSTABLE WATER PATTERNS
	(mm)	Inch					
HCN-01	25	1"	0.05~0.08	1.5~2.5	0.2~0.8	0.3~0.7	
HCN-02	40	1.5"	0.06~0.10	2.0~3.0	0.3~1.5	0.4~0.8	

Fan Nozzle is good for pools both outdoors and indoors.
Covering area and the Spraying angle can be adjusted.



FIRE BALL



Material	Install Mode	Spray Height	Fire Ball Diameter	Nozzle Diameter	Outlet Diameter	Pressure	Fuel
Stainless steel 304	Vertical	4-6M	1M	2mm	DN200mm	4.5MPa	LPG or Alcohol based fuel

The principle of the fire ball fountain is to crush the gas fuel to a high altitude through a special device to produce a violent explosion, forming a large, beautiful round fireball with dazzling light and thick sound. It normally has got two kinds of fuels, LPG and Alcohol—based fuel, which is safe and convenient for use.



FIRE ON WATER



Material	Install Mode	Spray Height	Nozzle Diameter	Pressure	Fuel
Stainless steel 304	Vertical	4-5M	DN 150mm	0.6 MPa	LPG or Alcohol based fuel

Fire on water is one of the most special fountain features in fountain performance. You can apply the fire to express the beauty of fountain when integrated with the water features. Also, this kind of flame mixed with water fountain shows the coexistence of fire between water and the harmony of the nature. The Fire Jet is made up with the flamethrower, electronic ignition system, control system and so on. You can take either NG or LPG as fuel, safe and convenient.



HIGH NOZZLE



MODULE NO.	SPECIFICATION TEX.		(MPa/10)	WATER VOLUME (m3/h)	HEIGHT	COVERING AREA	ADJUSTABLE WATER PATTERNS
	(mm)	Inch					
HCN-01	50	2"	0.10~3.0	7.0~20	1.8~20	0.5~5.0	Payra
HCN-02	80	3"	0.30~5.0	8.0~50	2.0~40	0.5~8.0	

High Nozzle is frequently used in the central part of pools as the main nozzle, while it can also be adjusted to jet across the pool, like a rainbow.



JELLYFISH NOZZLE



MODULE NO.	SPECIFICATION TEX.		(MPa/10)	WATER VOLUME (m3/h)	HEIGHT	COVERING AREA	ADJUSTABLE WATER PATTERNS
	(mm)	Inch					
HCN-01	25	1"	0.06~0.08	1.0~2.0	0.3~0.5	0.4~0.8	Lotus Leaf
HCN-02	40	1.5"	0.06~0.08	1.5~2.5	0.3~0.5	0.4~1.2	
HCN-03	50	2"	0.06~0.08	2.5~3.5	0.4~0.6	0.6~1.2	
HCN-04	15	0.5"	0.06~0.09	0.7~0.8	0.3~0.4	0.3~0.4	
HCN-05	20	0.75"	0.06~0.08	0.8~1.2	0.3~0.4	0.3~0.6	

Jellyfish Nozzle and Trumpet Nozzle have even water film, elegant pattern and little noise. It is usually used in indoor projects or yard pools. Both these two types can only withstand weak winds. The best outlook could be approached through adjusting the attached global valve and the nozzle lid.



JUMPING JET



MODULE NO.	Specification Tex. (mm)	Outlet (mm)	Connecion Hose	Volume (m3/h)	Life Needed (m)	Spray Distance	Weight (kg)	Packing Volume (m3)	Spray Height (m)
HM-20-10	370x200x50	10	DN20	2	4	1.5	10	0.022	1.5
HM-40-16	530x260x70	16	DN40	4	10	3	15	0.054	2
HM-40-18	550x300x50	18	DN40	5	12	4	25	0.08	2.8
HM-40-18	600x350x70	18	DN40	6	13	5	34	0.1	3

Jumping jet, also named as bullet jet, can shoot pieces of water column to appointed spots. It is a fountain based on lighted jets, consequently, its water columns are also as smooth and don't split in its range., while it is much more interesting than lighted jets.



LIGHTED JET



MODULE NO.	Specification Tex. (mm)	Outlet (mm)	Connecion Hose	Volume (m3/h)	Life Needed (m)	Spray Distance	Weight (kg)	Packing Volume (m3)	Spray Height (m)
HM-20-10	200x168x50	10	DN20	2	4	1.5	5	0.014	1.5
HM-40-16	330x219x70	16	DN40	4	10	3	12	0.04	2
HM-40-18	350x273x50	18	DN40	5	12	4	18	0.05	2.8
HM-40-18	400x323x70	18	DN40	6	13	5	28	0.08	3

Lighted Jets is a special fountain equipment. Water current inside is stablized and doesn' t splash even with high pressure. The jet is stable, smooth and won' t split in its range. Another significant feature is the the colored lighted is affiliated in itself, as a result, the light can follow the whole water column to the end. In actual operation, the jet looks like a smooth crystal pole. They are frequently arranged in groups to create an arch pattern, under which people can walk without getting themselves wet.



MIST NOZZLE HACAKA TYMAH



MODULE NO.	SPECIFICATION TEX.		(MPa/10)	WATER VOLUME (m ³ /h)	HEIGHT	COVERING AREA
	(mm)	Inch				
HCN-01	15	0.5"	0.9-2	0.5-2	2.0-5.0	5.0-8.0
HCN-02	20	0.75"	0.9-2	0.5-2	2.0-6.0	5.0-8.0
HCN-03	25	1"	0.9-2	0.58-3.5	2.5-6.0	5.0-10
HCN-04	50	2"	0.25-2	0.58-2.68	2.5-7.0	5.0-10

Mist Nozzle produces tiny drops of water, which forms the effect of fog, decorating the space like a fairyland.



PEACOCK NOZZLE



MODULE NO.	SPECIFICATION TEX.		(MPa/10)	WATER VOLUME (m ³ /h)	HEIGHT	COVERING AREA	ADJUSTABLE WATER PATTERNS
	(mm)	Inch					
HCN-01	25	1"	0.05~0.15	3.0~6.0	1.2~2.5	1.0~1.5	
HCN-02	40	1.5"	0.10~1.5	6.0~10	1.2~4.8	1.2~3.5	

Peacock Nozzle forms the effect of Peacock tail, with direction adjustment, it can also form a group of parabolic water cables.



SEMI-SPHERICAL DANDELION NOZZLE



MODULE NO.	SPECIFICATION TEX.		(MPa/10)	WATER VOLUME (m3/h)	HEIGHT	COVERING AREA	ADJUSTABLE WATER PATTERNS
	(mm)	Inch					
HCN-01	40	1.5"	0.2~0.43	15~25	0.1~0.3	1.2~2.5	
HCN-02	50	2"	0.37~0.7	35~55	0.2~0.5	1.6~2.1	
HCN-03	80	3"	0.5~0.8	60~70	0.3~0.8	15~3.0	
HCN-04	100	4"	0.35~1.0	60~80	0.3~1.0	2.6~3.6	

Dandelion Nozzle(FOG and Water film) is a semi—spherical globe with radial branch pipes attached. The fog effect can be adjusted by the lid on each branch pipe. This Nozzle is supposed to be used only in waters without much impurities.



SNOW-PINE NOZZLE



MODULE NO.	SPECIFICATION TEX.		(MPa/10)	WATER VOLUME (m3/h)	HEIGHT	COVERING AREA	Water Patterns
	(mm)	Inch					
HSPN-01	25	1"	0.10~1.5	3.0~12	0.6~10	0.12~1.5	
HSPN-02	40	1.5"	0.20~2.5	7.0~20	0.8~15	0.2~3.0	
HSPN-03	50	2"	0.24~3.0	11~45	0.85~15	0.35~5.0	
HSPN-20	20	0.75"	0.10~4.5	2.0~10	0.5~30	0.1~1	

Snow Pine Nozzle can form large water columns with air bulbs inside, which looks magnificent in the sunshine.



TRUMPET NOZZLE



MODULE NO.	SPECIFICATION TEX.		(MPa/10)	WATER VOLUME (m3/h)	HEIGHT	COVERING AREA	ADJUSTABLE WATER PATTERNS
	(mm)	Inch					
HCN-01	25	1"	0.07~0.09	1.4~1.88	0.56~0.71	0.4~0.85	Mushroom
HCN-02	40	1.5"	0.06~0.09	1.7~2.7	0.54~0.8	0.35~1.2	
HCN-03	50	2"	0.05~0.08	3.0~5.0	0.5~0.67	0.5~1.3	
HCN-04	15	0.5"	0.07~0.08	1.0~1.5	0.5~0.6	0.3~0.5	
HCN-05	20	0.75"	0.07~0.08	1.0~1.5	0.5~0.6	0.3~0.5	

Trumpet Nozzle have even water film, elegant pattern and little noise. It is usually used in indoor projects or yard pools. Both these two types can only withstand weak winds. The best outlook could be approached through adjusting the attached global valve and the nozzle lid.



WIND-MILL NOZZLE



MODULE NO.	SPECIFICATION TEX.		(MPa/10)	WATER VOLUME (m3/h)	HEIGHT	COVERING AREA	ADJUSTABLE WATER PATTERNS
	(mm)	Inch					
HCN-01	25	1"	0.15-1.0	3.0-10	0.3-2.0	2.0-3.5	52-100

Wind—mill Nozzle is usually installed vertically to the water—surface or at a certain angle. The water lines from branch nozzles will form the shape of a windmill. Colored light will display the outmost of its charm. Revolving speed could be controlled by the inverter attached to pumps.